

# Addressing Free MANET w/ Global Connectivity: MANEMO + NAT

Requirements for the addressing in MANET node

- Assign the unique address over multi-hop neighbor in MANET node
- (MAY) provide global reachability to the MANET node

Problem

- Assignment of the topologically correct address/prefix is difficult if Internet Gateway (IGW) moves (Prefix flapping during IGW movement makes unstable core network)

Idea

- Topologically **Incorrect** address + NAT (for addressing assignment)
- With NEMO (Prefix assignment with statically assigned MNP)

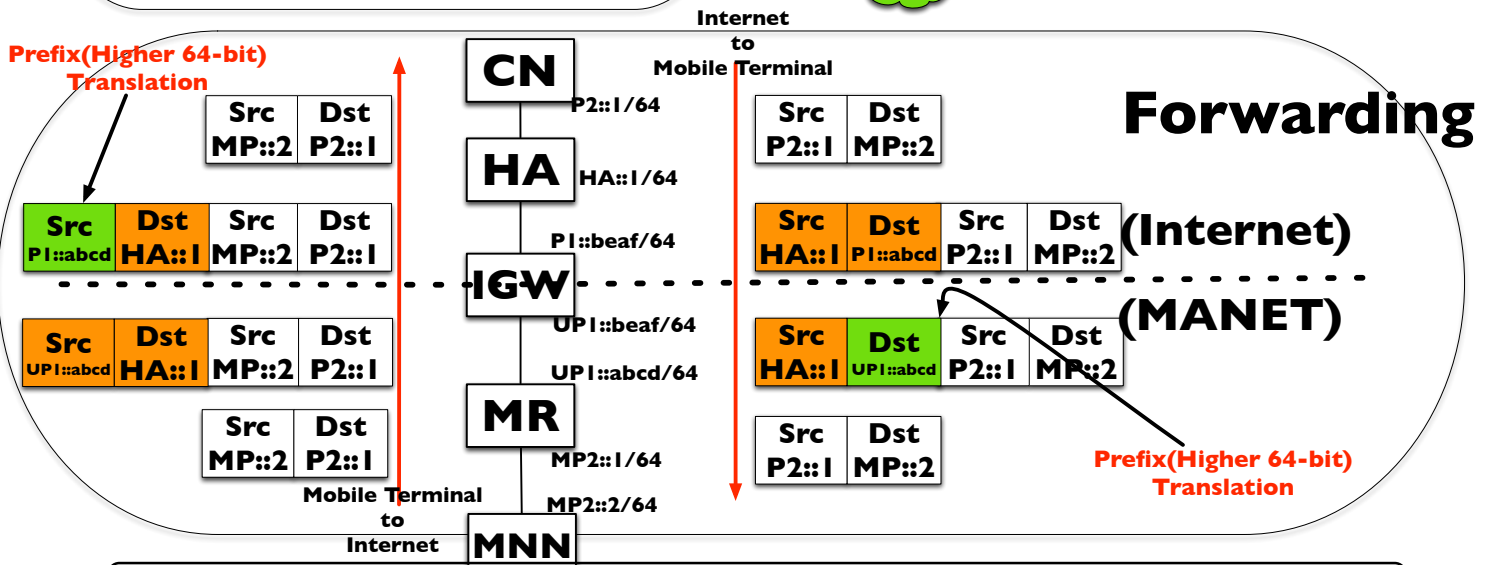
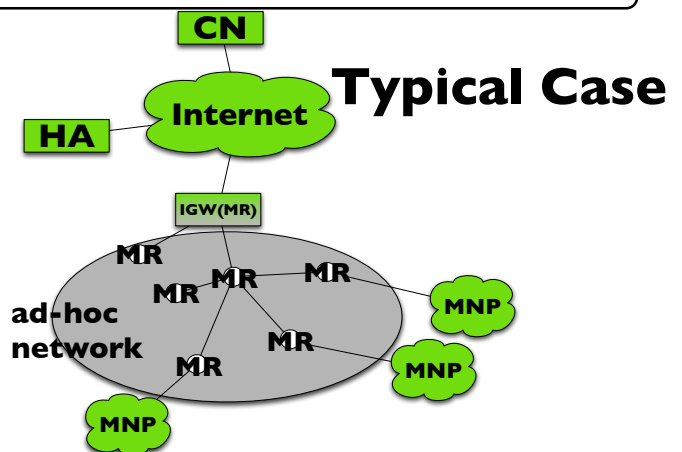
Application

- Remote medical service in temporary network (like FON, Internet Connection Sharing)
- Solution for the nested NEMO problem

## Signaling

2) Use Routing Information (RIB/FIB) as NAT mapping table

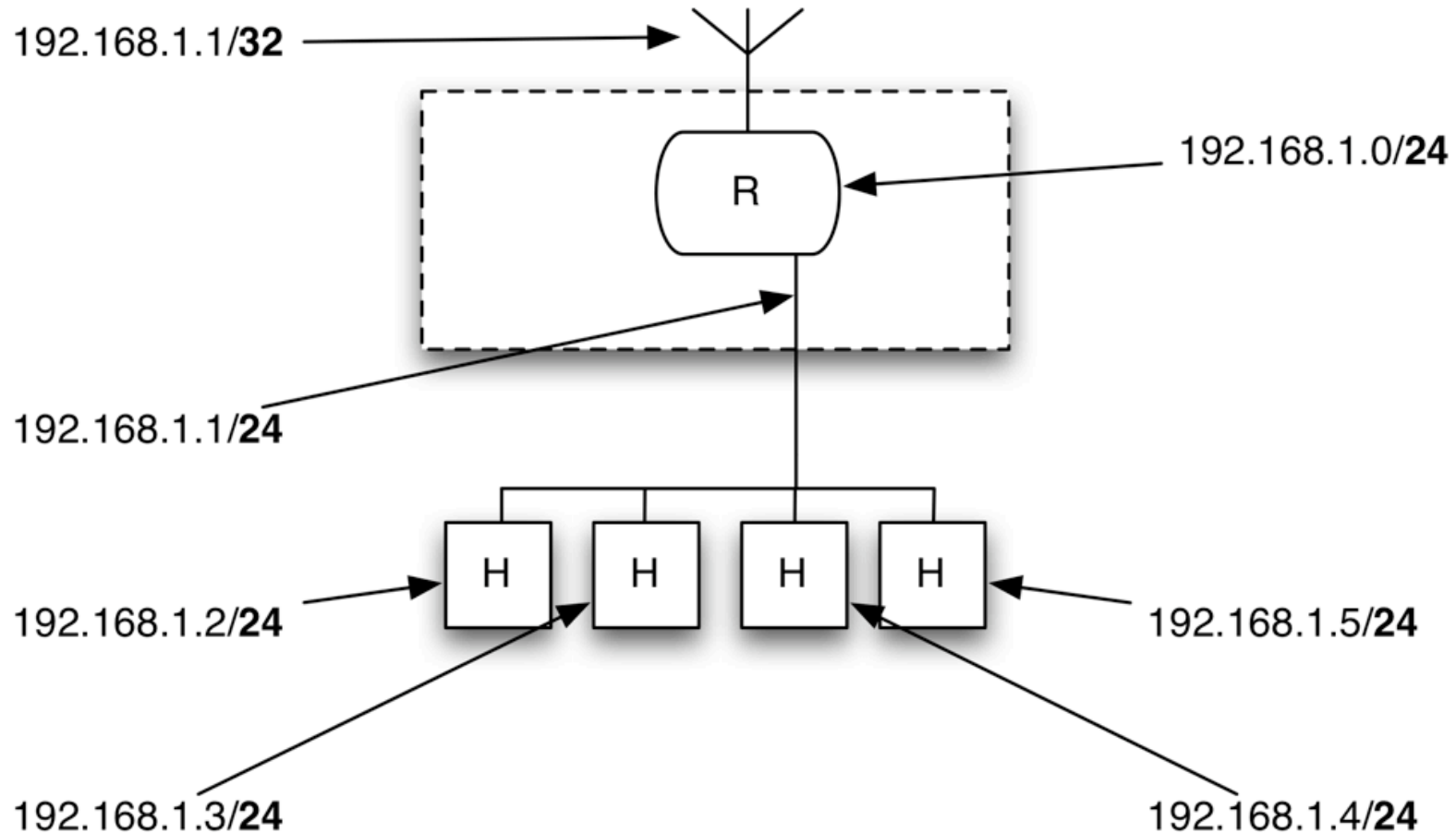
1) Share MR (include IGW)'s address by routing protocol (e.g. OLSR)



- No translation on end node's addresses (pros)
- Security association between MR and HA with translated address (issue)
- draft-vogt-address-translation-harmfulness

# Usage Scene

draft-clausen-manet-autoconf-recommendations-00



Addressing Model for MANET node (w/ 2 interfaces)

